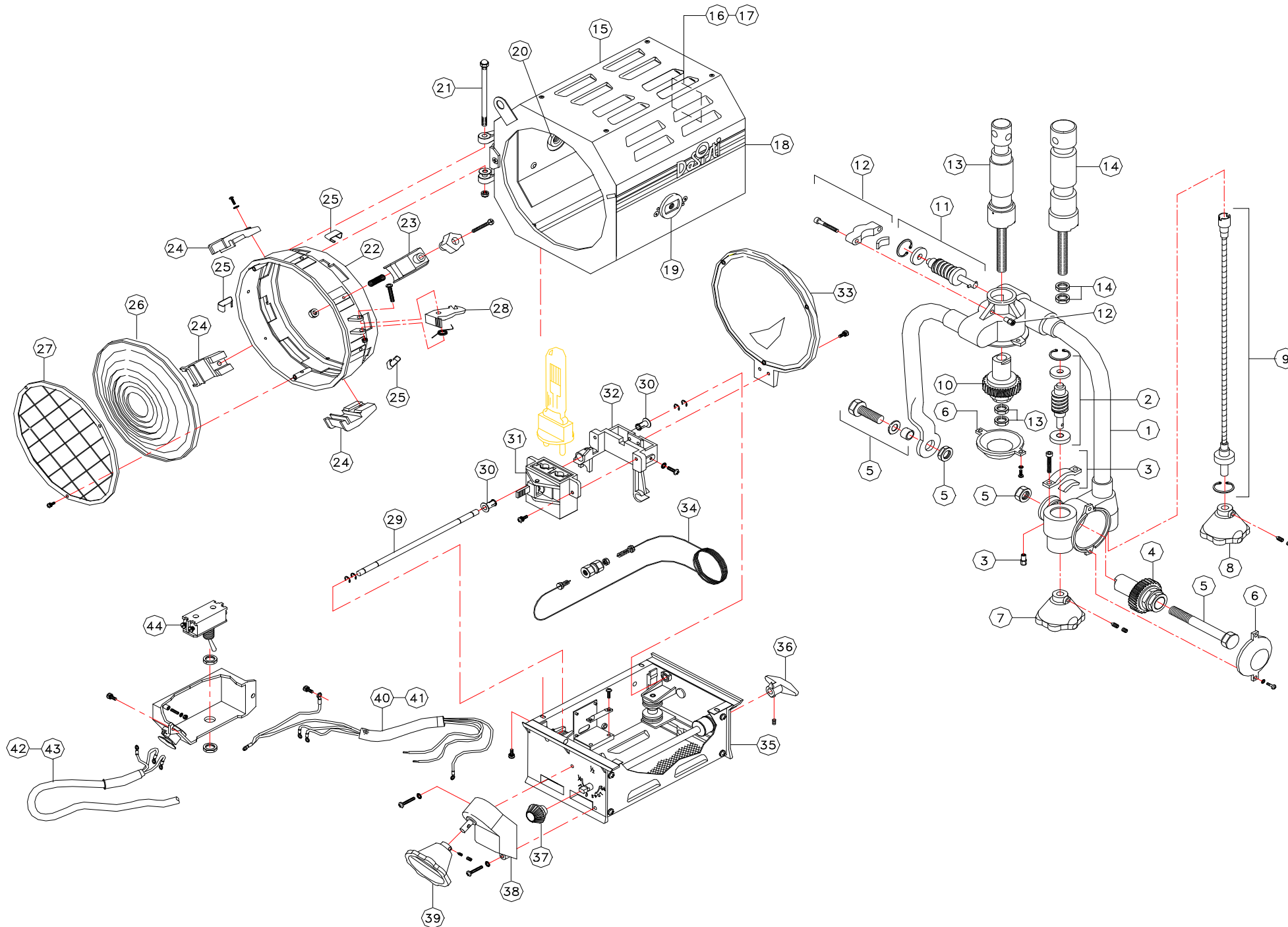




**LEONARDO 1 KW (P.O.)
Spare Parts List RELEASE 1 (sh 2 of 2)**



ITEM	MOD.	DESCRIPTION	Q.TY
33	310.050.00	Reflector Assembly	1
34	310.015.00	Stainless Steel Focusing Wire kit	1
35	310.011.00	Bottom Box Mechanical kit	1
36	310.011.06	Spot-flood "T" handle	6
37	311.011.01	Fiberglass driven gear (base)	3
38	311.012.00	Spot-flood focusing mechanism	1
39	311.013.00	Yellow cup assembly	1
40	310.061.00	C.E. Internal cable kit	1
41	310/200.61.000	U.S.A. Internal cable kit	1
42	311.062.00	C.E. Mains Cable	1
43	311/200.62.00	U.S.A. Mains Cable	1
44	310.060.90	10A ON/OFF Toggle Switch	1

**FILE NAME:LEONARDO 1 KW ECO (P.O.) .XLS
DATE: 15.03.2003**